



⑤ The Sim-Cas 33 Shoedrive system is designed to be used with either threaded or welded casing with a recommended outside diameter of 114mm (4 1/2") and an inside diameter of 101.6mm (4").

When in operation the eccentric bit extends to produce a bore size of 128mm reducing to 91mm when it is retracted.

The casing drive shoe is available with either a spigot type connection or a face butting type connection. The internal diameter of the casing drive shoe is 92.5mm. This enables a button bit with a diameter of 91.5mm (or less) to be used to drill through the casing if required.

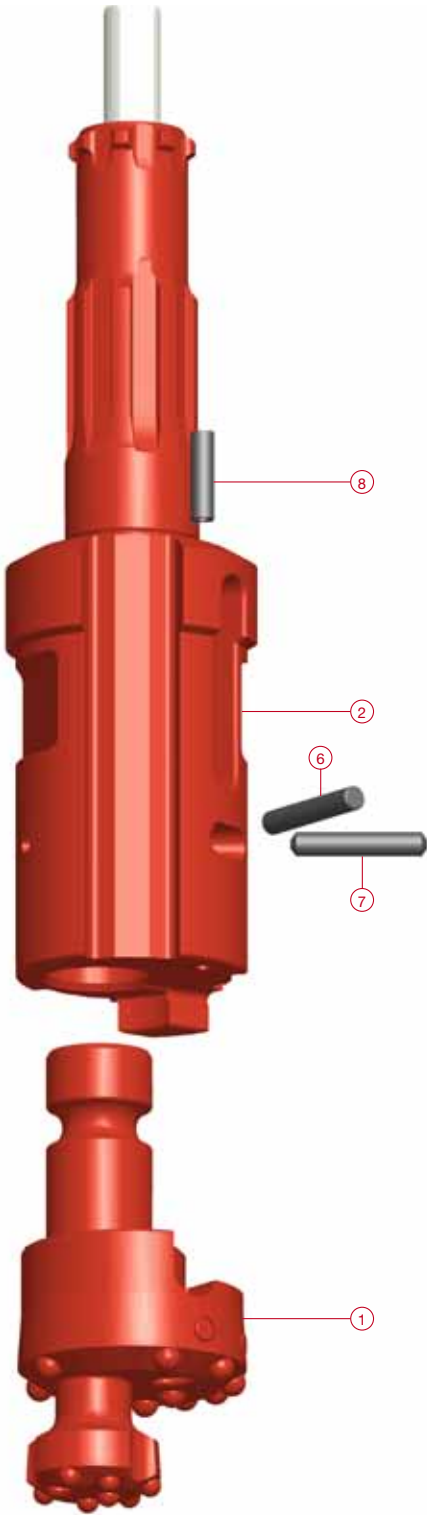
An optional stabilizer is available.

Available Shanks

MACH 303

IR DHD 3.5

③



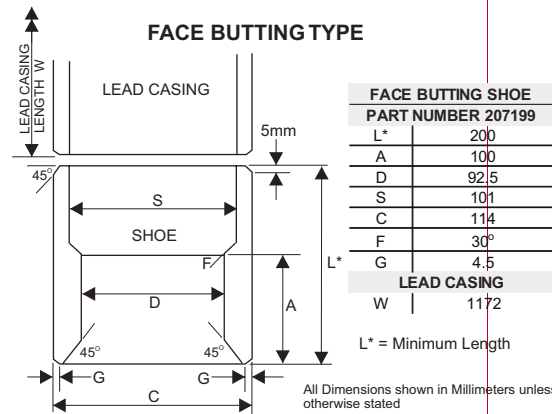
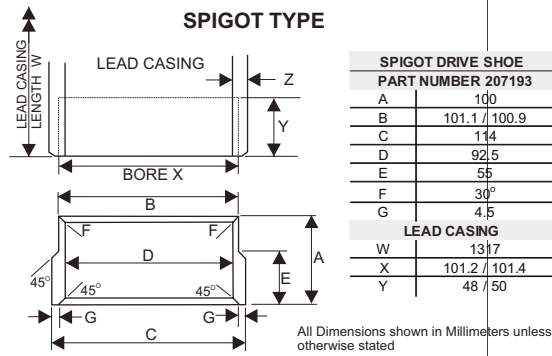
Technical Specifications

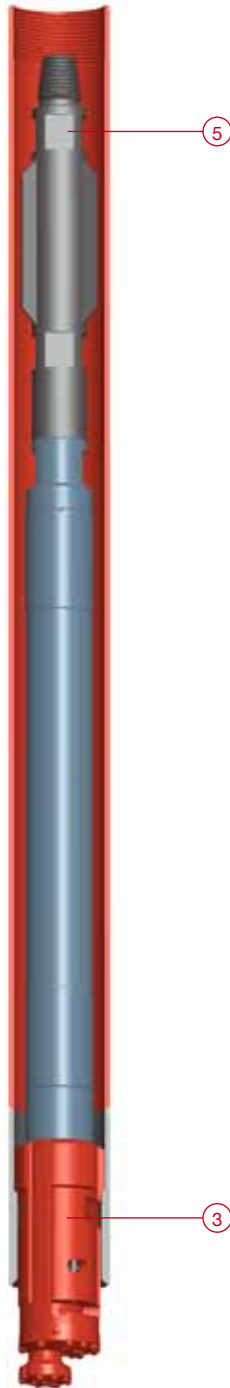
Description	Sim-Cas 33	
	mm	Inches
Eccentric Bit		
Reamer Dia. Extended	128	5.04
Reamer Dia. Retracted	91	3.58
Casing		
Recommended O/D	114	4.5
Minimum I/D	101.6	4.0
Min. Wall Thickness	5	0.2
Shoe Min. I/D	92	3.62

Parts List

Model Number	Sim-Cas 33	
	Mach 303	IR DHD 3.5
Item	Description	Part Numbers
1	Eccentric Bit	651011 651011
2	Driver	650344 650096
3	Drive Shoe (Spigot Type)	207193 207193
4	Drive Shoe (Face Butting Type)	207199 207199
	Breakout Spanner For Driver	207169 207169
5	Stabiliser	206361 206361
Spare Parts for Driver		
6	Short Cross Pin	602650 602650
7	Long Cross Pin	602642 602642
8	Spirol Pin	787054 787054

Drive Shoe & Lead Casing Dimensions





The Sim-Cas 44 Shoedrive system is designed to be used with either threaded or welded casing with a recommended outside diameter of 142mm (5 5/8") and an inside diameter of 126mm (5").

When in operation the eccentric bit extends to produce a bore size of 155mm (6 1/8") reducing to 115mm (4 1/2") when it is retracted.

The casing drive shoe is available with either a spigot type connection or a face butting type connection. The internal diameter of the casing drive shoe is 117.5mm. This enables a button bit with a diameter of 116.5mm (or less) to be used to drill through the casing if required.

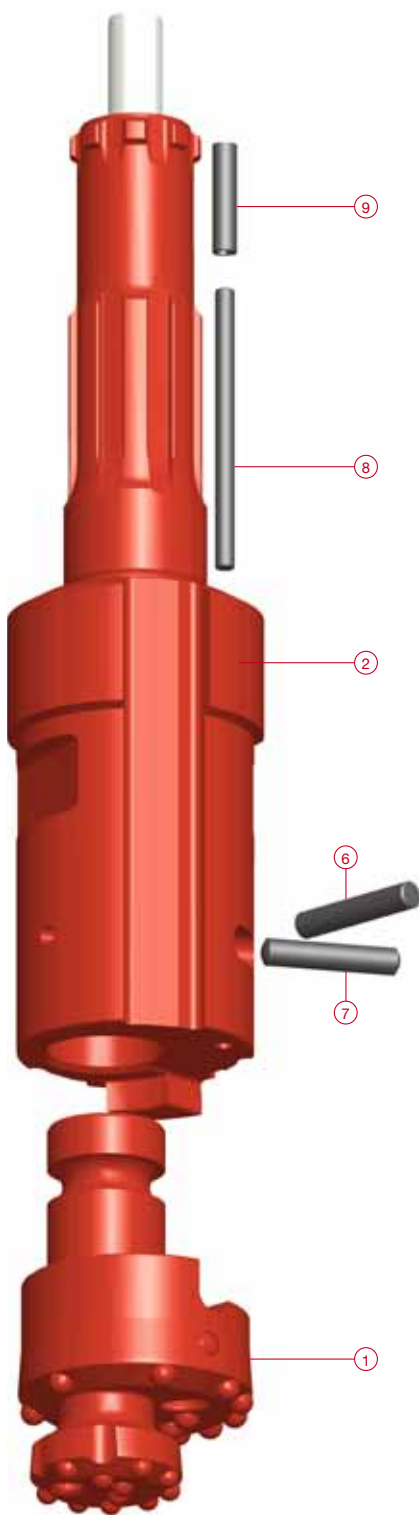
An optional stabilizer is available.

Available Shanks

Mach 44

A35-15 (SD4)

IR DHD 340



Technical Specifications

Description	Sim-Cas 44	
	mm	Inches
Eccentric Bit		
Reamer Dia. Extended	155	6.10
Reamer Dia. Retracted	115	4.53
Casing		
Recommended O/D	142	5.6
Minimum I/D	126	5.0
Min. Wall Thickness	5	0.2
Shoe Min. I/D	116	4.57

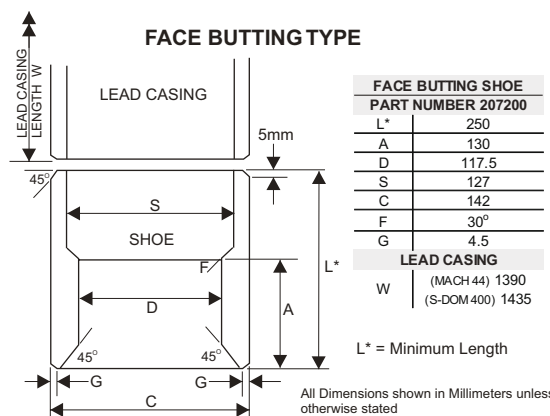
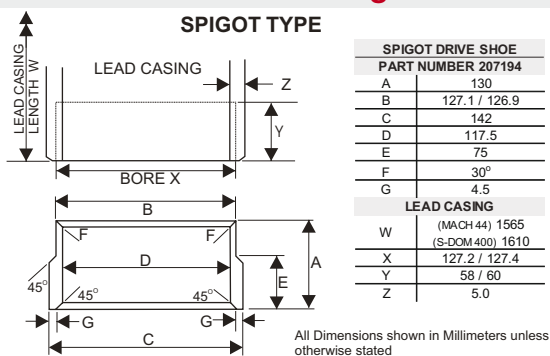
Spare Parts

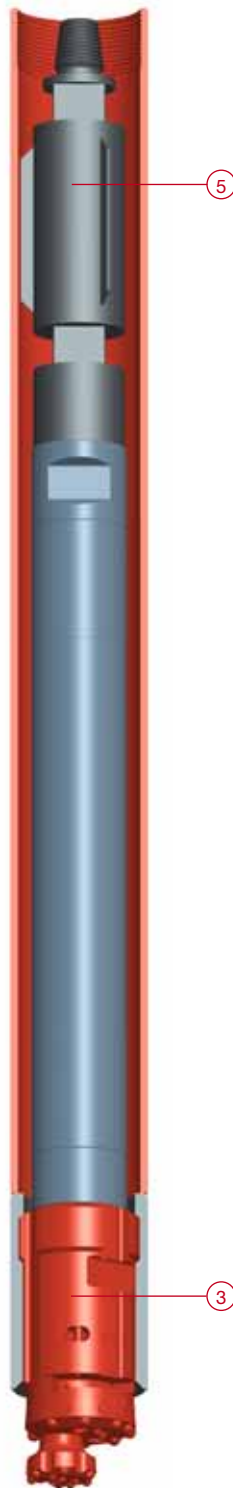
		Sim-Cas 44		
Model Number		Mach 44	A35-15 (SD4)	IR DHD 340
Item	Description	Part Numbers		
1	Eccentric Bit	651009	651009	651009
2	Driver	650899	650919	650088
3	Drive Shoe (Spigot Type)	207194	207194	207194
4	Drive Shoe (Face Butting Type)	207200	207200	207200
	Breakout Spanner For Driver	204321	204321	204321
5	Stabiliser	206351	206351	206351

Spare Parts for Drivers

6	Short Cross Pin	602641	602641	602641
7	Long Cross Pin	602640	602640	602640
8	Solid Retention Pin	603807	603807	603807
9	Spirol Pin	787053	787053	787053

Drive Shoe & Lead Casing Dimensions





The Sim-Cas 55 Shoedrive system is designed to be used with either threaded or welded casing with a recommended outside diameter of 171 mm (6 3/4") and an inside diameter of 152mm (6").

When in operation the eccentric bit extends to produce a bore size of 190mm (7 1/2") reducing to 140mm (5 1/2") when it is retracted.

The casing drive shoe is available with either a spigot type connection or a face butting type connection. The internal diameter of the casing drive shoe is 142mm. This enables a button bit with a diameter of 141mm (or less) to be used to drill through the casing if required.

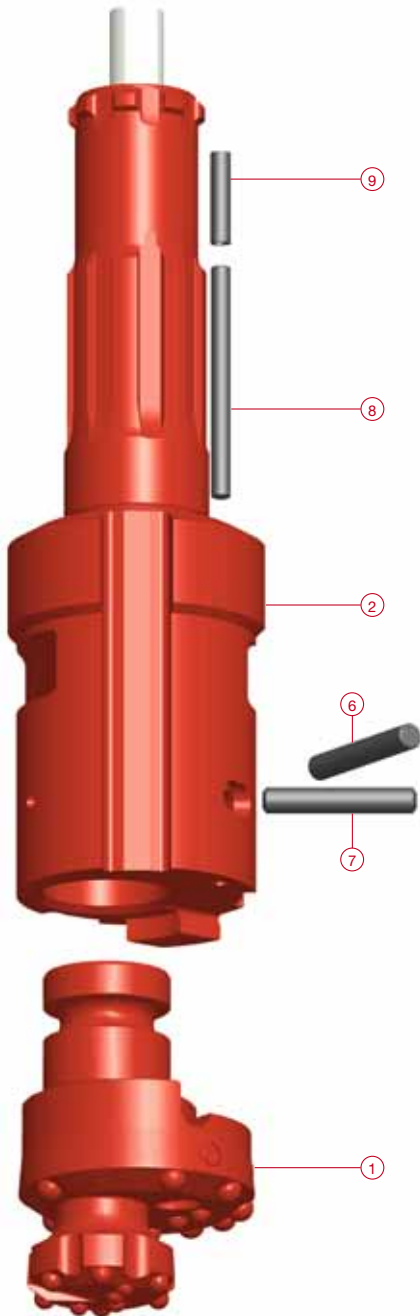
An optional stabilizer is available.

Available Shanks

Mach 50

A43-15 (SD5)

IR DHD 350



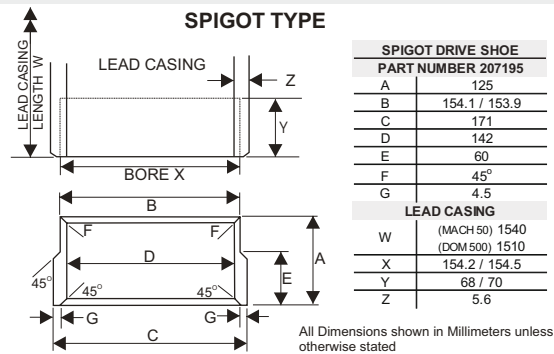
Technical Specifications

Description	Sim-Cas 55	
	mm	Inches
Eccentric Bit		
Reamer Dia. Extended	190	7.48
Reamer Dia. Retracted	140	5.51
Casing		
Recommended O/D	171	6.7
Minimum I/D	152	6.0
Min. Wall Thickness	5.6	0.22
Shoe Min. I/D	141	5.55

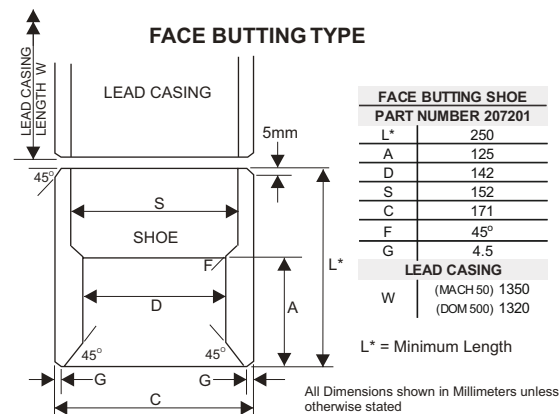
Spare Parts

Model Number	Sim-Cas 55			
	Mach 50	A43-15 (SD5)	IR DHD 350	
Item	Description	Part Numbers		
1	Eccentric Bit	651012	651012	651012
2	Driver	650345	650916	650086
3	Drive Shoe (Spigot Type)	207195	207195	207195
4	Drive Shoe (Face Butting Type)	207201	207201	207201
	Breakout Spanner For Driver	203249	203249	203249
5	Stabiliser	206354	206354	206354
Spare Parts for Driver				
6	Short Cross Pin	602627	602627	602627
7	Long Cross Pin	602626	602626	602626
8	Solid Retention Pin	603748	603748	603748
9	Spirol Pin	787053	787053	787053

Drive Shoe & Lead Casing Dimensions



3



4



The Sim-Cas 66 Shoedrive system is designed to be used with either threaded or welded casing with a recommended outside diameter of 195mm (7 3/4") and an inside diameter of 179mm (7").

When in operation the eccentric bit extends to produce a bore size of 219mm (8 5/8") reducing to 165mm (6 1/2") when it is retracted.

The casing drive shoe is available with either a spigot type connection or a face butting type connection. The internal diameter of the casing drive shoe is 168.5mm. This enables a button bit with a diameter of 167.5mm (or less) to be used to drill through the casing if required.

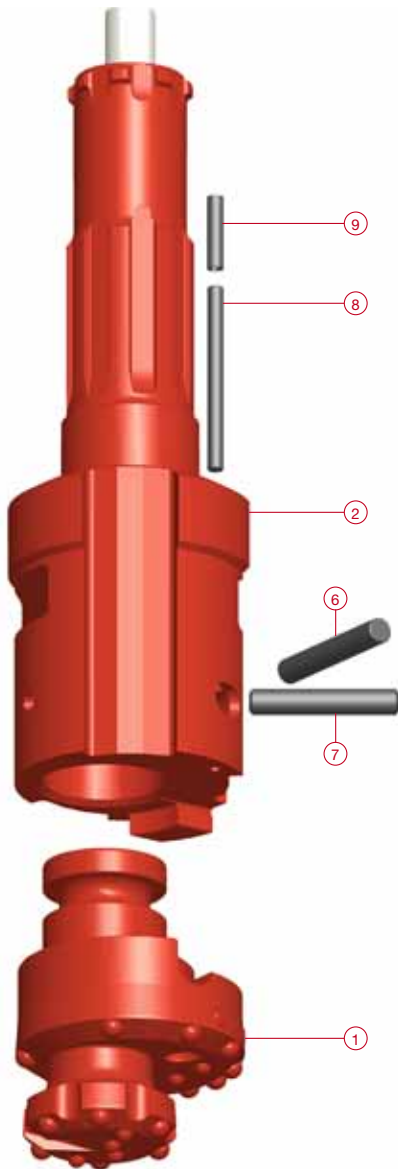
An optional stabilizer is available.

Available Shanks

Mach 60

A53-15 (SD6)

IR DHD 360



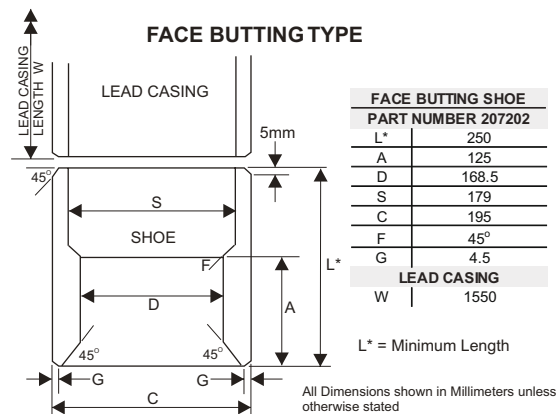
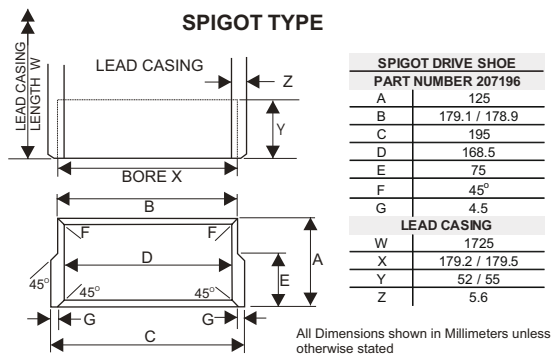
Technical Specifications

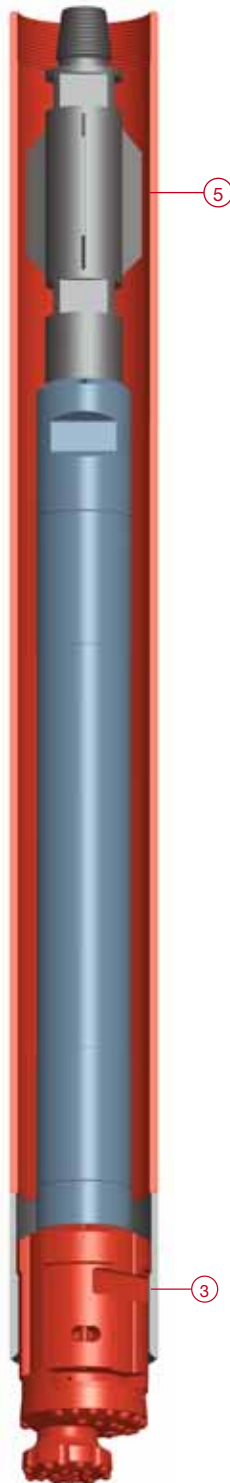
Description	Sim-Cas 66	
	mm	Inches
Eccentric Bit		
Reamer Dia. Extended	219	8.62
Reamer Dia. Retracted	165	6.5
Casing		
Recommended O/D	195	7.7
Minimum I/D	179	7.0
Min. Wall Thickness	5.6	0.22
Shoe Min. I/D	168	6.62

Spare Parts

Model Number	Sim-Cas 66			
	Mach 60	A53-15 (SD6)	IR DHD 360	
Item	Description	Part Numbers		
1	Eccentric Bit	651013	651013	651013
2	Driver	650346	650917	650085
3	Drive Shoe (Spigot Type)	207196	207196	207196
4	Drive Shoe (Face Butting Type)	207202	207202	207202
	Breakout Spanner For Driver	207170	207170	207170
5	Stabiliser	206355	206355	206355
Spare Parts for Driver				
6	Short Cross Pin	602625	602625	602625
7	Long Cross Pin	602624	602624	602624
8	Solid Retention Pin	603748	603748	603748
9	Spirol Pin	787053	787053	787053

Drive Shoe & Lead Casing Dimensions





The Sim-Cas Super 66 Shoedrive system is designed to be used with either threaded or welded casing with a recommended outside diameter of 219mm (8 5/8") and an inside diameter of 198.4 mm (7 13/16").

When in operation the eccentric bit extends to produce a bore size of 243mm (9 9/16") reducing to 191mm (7 1/2") when it is retracted.

The casing drive shoe is available with either a spigot type connection or a face butting type connection. The internal diameter of the casing drive shoe is 193mm. This enables a button bit with a diameter of 192mm (or less) to be used to drill through the casing if required.

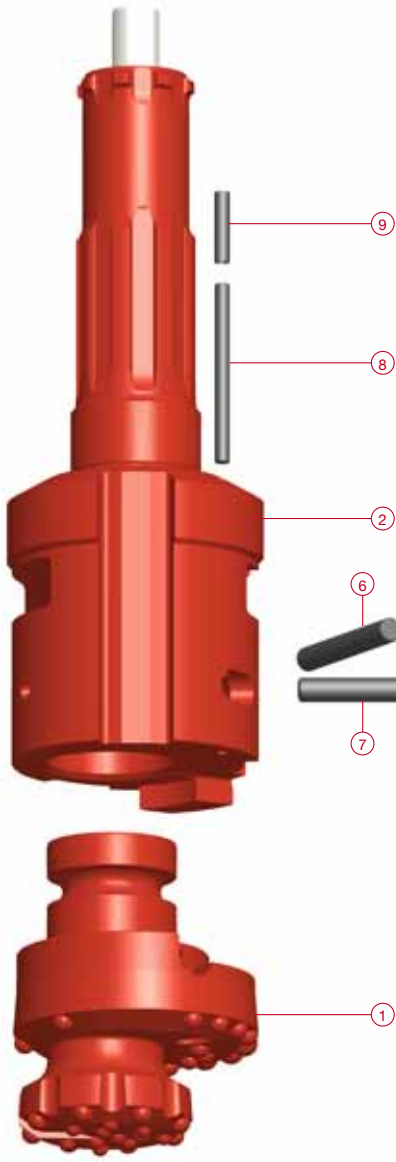
An optional stabilizer is available.

Available Shanks

Mach 60

A53-15 (SD6)

IR DHD 360



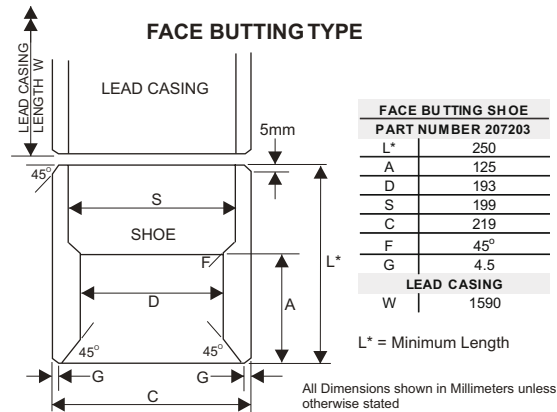
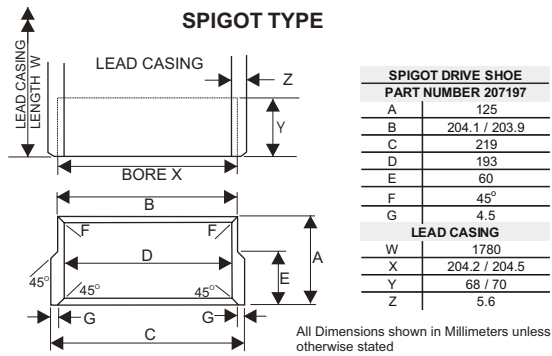
Technical Specifications

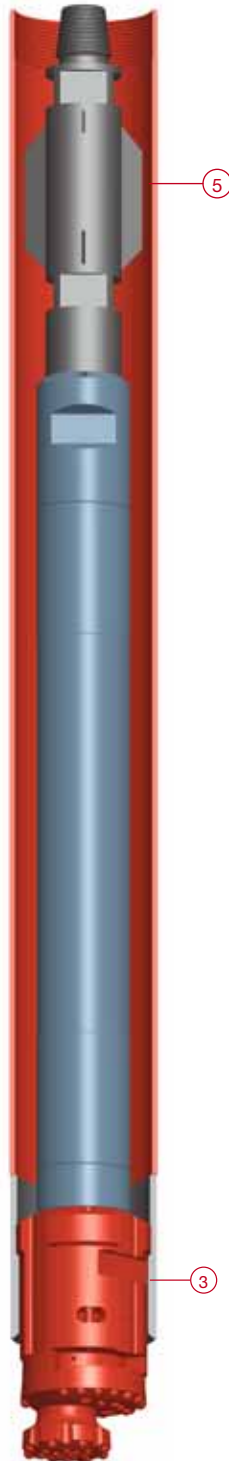
Description	Sim-Cas Super 66	
	mm	Inches
Eccentric Bit		
Reamer Dia. Extended	243	9.57
Reamer Dia. Retracted	191	7.52
Casing		
Recommended O/D	219	8.6
Minimum I/D	198.4	7.8
Min. Wall Thickness	5.6	0.22
Shoe Min. I/D	192	7.56

Spare Parts

		Sim-Cas Super 66		
Model Number		Mach 60	A53-15 (SD6)	IR DHD 360
Item	Description	Part Numbers		
1	Eccentric Bit	651010	651010	651010
2	Driver	650340	650921	650975
3	Drive Shoe (Spigot Type)	207197	207197	207197
4	Drive Shoe (Face Butting Type)	207203	207203	207203
	Breakout Spanner For Driver	207171	207171	207171
5	Stabiliser	206357	206357	206357
Spare Parts for Driver				
6	Short Cross Pin	602656	602656	602656
7	Long Cross Pin	602655	602655	602655
8	Solid Retention Pin	603748	603748	603748
9	Spirol Pin	787053	787053	787053

Drive Shoe & Lead Casing Dimensions





The Sim-Cas Super 66 HD Shoedrive system is designed to be used with either threaded or welded casing with a recommended outside diameter of 222mm (8 3/4") and an inside diameter of 205mm (8 1/16").

When in operation the eccentric bit extends to produce a bore size of 243mm (9 9/16") reducing to 191mm (8 1/2") when it is retracted.

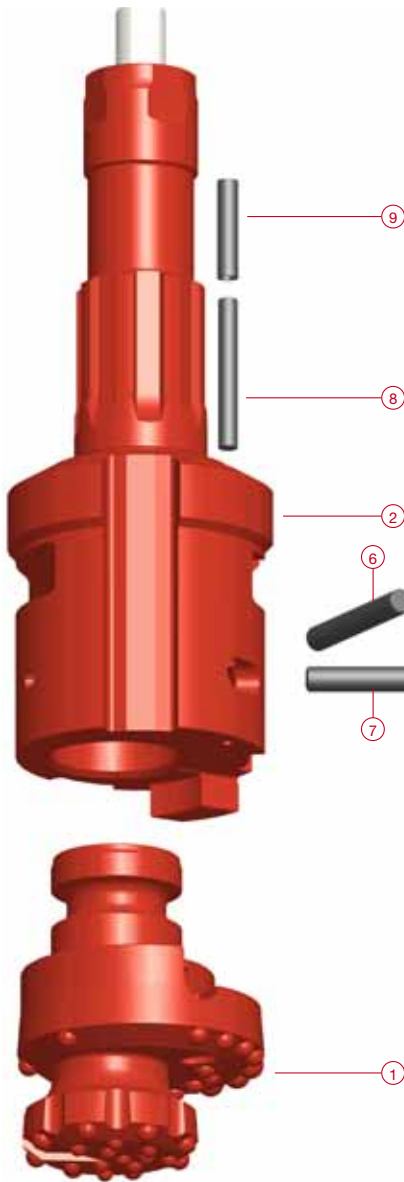
The casing drive shoe is available with either a spigot type connection or a face butting type connection. The internal diameter of the casing drive shoe is 193mm. This enables a button bit with a diameter of 192mm (or less) to be used to drill through the casing if required.

An optional stabilizer is available.

Available Shanks

IR DHD 360

IR DHD 380

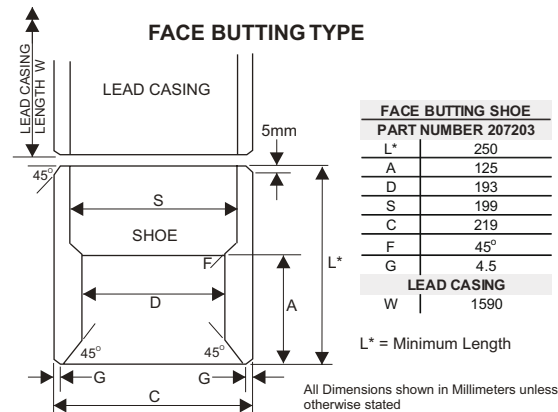
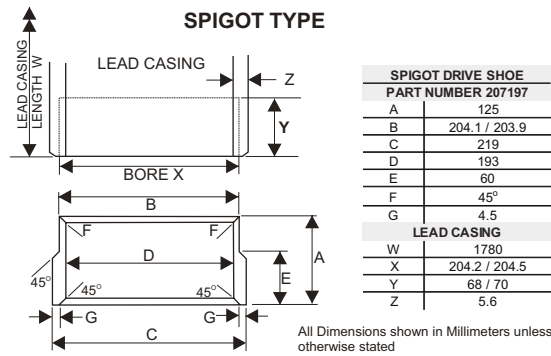


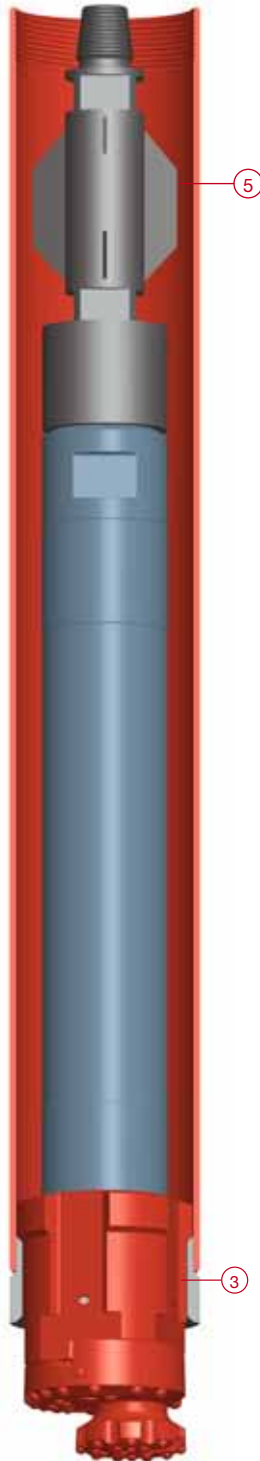
Technical Specifications

Description	Sim-Cas Super 66 HD	
	mm	Inches
Eccentric Bit		
Reamer Dia. Extended	243	9.57
Reamer Dia. Retracted	191	7.52
Casing		
Recommended O/D	222	8.74
Minimum I/D	205	8.07
Min. Wall Thickness	6.3	0.25
Shoe Min. I/D	192	7.56

Sim-Cas Super 66 HD			
Model Number		IR DHD 360	IR DHD 380
Item	Description	Part Numbers	
1	Eccentric Bit	651017	651017
2	Driver	653243	653244
3	Drive Shoe (Spigot Type)	207197	207197
4	Drive Shoe (Face Butting Type)	207203	207203
	Breakout Spanner For Driver	207171	207171
5	Stabiliser	206357	206357
Spare Parts for Driver			
6	Short Cross Pin	602656	602656
7	Long Cross Pin	602655	602655
8	Solid Retention Pin	603893	603893
9	Spirol Pin	787040	787040

Drive Shoe & Lead Casing Dimensions





The Sim-Cas 88 Shoedrive system is designed to be used with either threaded or welded casing with a recommended outside diameter of 273mm (10 3/4") and an inside diameter of 254.5 mm (10").

When in operation the eccentric bit extends to produce a bore size of 308mm (12 1/8") reducing to 235mm (9 1/4") when it is retracted.

The casing drive shoe is available with either a spigot type connection or a face butting type connection. The internal diameter of the casing drive shoe is 237mm. This enables a button bit with a diameter of 236mm (or less) to be used to drill through the casing if required.

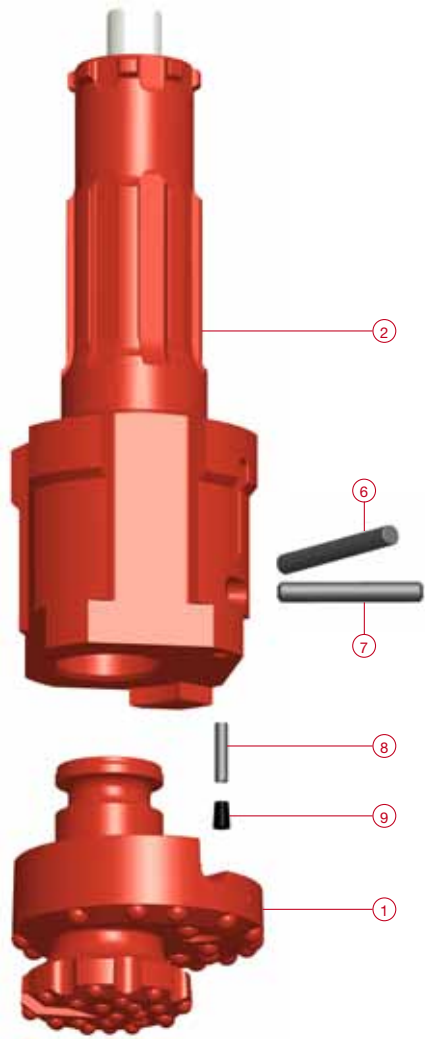
An optional stabilizer is available.

Available Shanks

Mach 80

A63-15 (SD8)

DHD 380



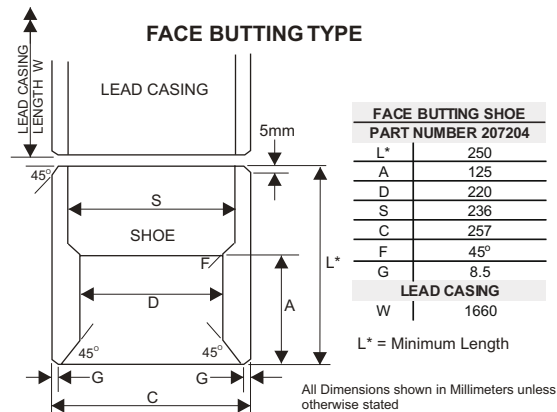
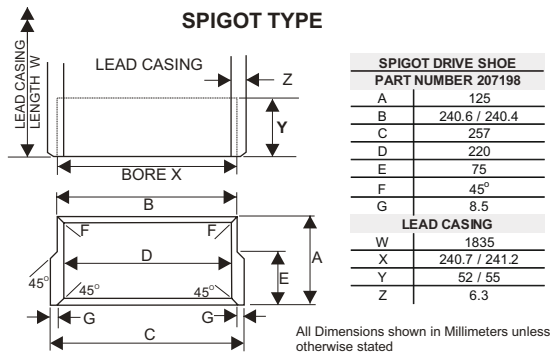
Technical Specifications

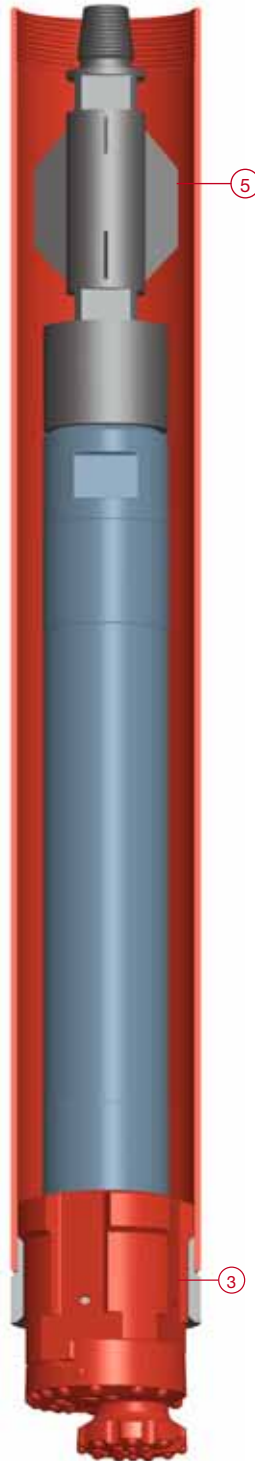
Description	Sim-Cas 88	
	mm	Inches
Eccentric Bit		
Reamer Dia. Extended	282	11.10
Reamer Dia. Retracted	218	8.62
Casing		
Recommended O/D	257	10.1
Minimum I/D	241	9.40
Min. Wall Thickness	6.3	0.24
Shoe Min. I/D	219	8.62

Spare Parts

Model Number	Sim-Cas 88			
	Mach 80	A63-15 (SD8)	IR DHD 380	
Item	Description	Part Numbers		
1	Eccentric Bit	651006	651006	651006
2	Driver	650895	650920	650087
3	Drive Shoe (Spigot Type)	207198	207198	207198
4	Drive Shoe (Face Butting Type)	207204	207204	207204
	Breakout Spanner For Driver	207172	207172	207172
5	Stabiliser	206362	206362	206362
Spare Parts for Driver				
6	Short Cross Pin	602623	602623	602623
7	Long Cross Pin	602622	602622	602622
8	Spirol Pin	787053	787053	787053
9	Rubber Plug	792038	792038	792038

Drive Shoe & Lead Casing Dimensions





The Sim-Cas Super 88 Shoedrive system is designed to be used with either threaded or welded casing with a recommended outside diameter of 273mm (10 3/4") and an inside diameter of 254.5 mm (10").

When in operation the eccentric bit extends to produce a bore size of 308mm (12 1/8") reducing to 235mm (9 1/4") when it is retracted.

The casing drive shoe is available with either a spigot type connection or a face butting type connection. The internal diameter of the casing drive shoe is 237mm. This enables a button bit with a diameter of 236mm (or less) to be used to drill through the casing if required.

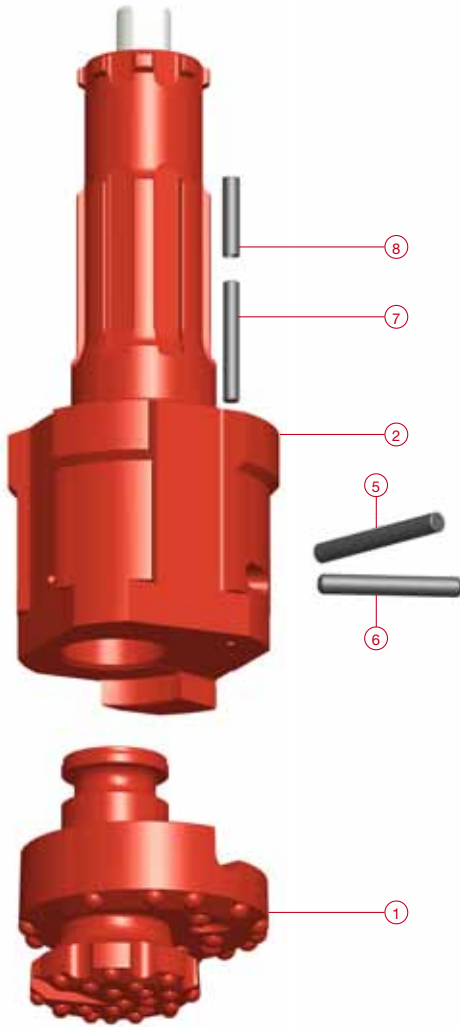
An optional stabilizer is available.

Available Shanks

Mach 80

A63-15 (SD8)

IR DHD 380



Technical Specifications

Description	Sim-Cas Super 88	
	mm	Inches
Eccentric Bit		
Reamer Dia. Extended	308	12.13
Reamer Dia. Retracted	235	9.25
Casing		
Recommended O/D	273	10.7
Minimum I/D	254.5	10.0
Min. Wall Thickness	9.2	0.36
Shoe Min. I/D	237	9.33

Spare Parts

		Sim-Cas Super 88		
Model Number		Mach 80	A63-15 (SD8)	IR DHD 380
Item	Description	Part Numbers		
1	Eccentric Bit	651016	651016	651016
2	Driver	653153	653156	653154
3	Drive Shoe (Spigot Type)	207206	207206	207206
	Breakout Spanner For Driver	604280	604280	604280
4	Stabiliser	604279	604279	604279
5	Short Cross Pin	602623	602623	602623
6	Long Cross Pin	602622	602622	602622
7	Solid Retention Pin	603983	603983	603983
8	Spirol Pin	787040	787040	787040

Spare Parts for Driver

Drive Shoe & Lead Casing Dimensions

